

Product manual



AY-1240T

1 SECURITY TIPS

WARNING!!! To reduce the risk of fire, electric shock, or injury to persons, follow these important safety instructions:

- non-professionals, not to disassemble the light arbitrarily and lighting accessories inside.
- rated voltage range: AC110V-120V/60Hz or AC200V-240V / 50HZ (to be selected).
- not beam irradiate the flammable materials, flammable materials and the lamp should be maintained at least 1M over the distance.
- lamps used in ambient temperature: $-15\text{ }^{\circ}\text{C}$ $-40\text{ }^{\circ}\text{C}$, the highest temperature of the surface of the lamp: $60\text{ }^{\circ}\text{C}$.
- to keep away from the liquid substance and humid environment.
- before using the lights must ensure the good grounding, can not install charging and remove any parts.
- the installation of lamps, must be fixed screw fasteners with additional security cable and regular inspection.
- lamps consecutive working hours is not recommended more than 10 hours.
- should stop using the lights in time when happens unusual conditions during the process
- lamp parts of the rotation, external accessories and paste parts should be regular inspected, such as the emergence of loose and rock, should be reinforced in a timely manner to prevent the accident.
- lamps adopt strong winds to refrigerate, it is easy to accumulate the dust, so you have to clean it weekly especially the cooling air opening, otherwise the dust will plug leading to poor light

2 TECHNOLOGY REFERENCE

Input voltage: AC100-240V, 50/60HZ

Power Consumption: 600W

Light source:OSRAM 12*40W RGBW LED

Average life:50,000 hrs

Control mode:DMX512

DMX Channel:20/57 Channels

Zoom angle: 3-45°

Protection level: IP20

Dimensions: 40.2” x3.9” x13” in

Weight: 16.5KG

3 Menu function

primary menu	Sublevel menu	Three-level menu / parameters	parameter
Address setting	001 - 512		
Lighting setting	DMX MODE	20CH/57CH	
	RUN	DMX512/Auto/Sound	
	Vertical reversal	Close / open	
	vertical turn	0 - 255	
	Vertical fine-tuning	0 - 255	
	◦	0 - 255	
	◦	0 - 255	
	function	0 - 255	
Lighting information	temporal information	available machine time	xxxh
		total time	xxxh
		Boot count	xxx
	Sensor detection	perpendicular	Normal / error
		Amplification 1	Normal / error
		Amplification 2	Normal / error
		Temperature sensing	Normal / error
	Temperature control information	Light head temperature	xxx C
	software version	Panel version	V2.00H
		Tuning version	V2.00H
Factory setting	Password input	000	
	Vertical correction	127	

	Amplification 1		
	Amplification 2		
	Red correction		
	Green correction		
	Blue correction		
	White correction		
Lamps reset	Motor reset	Cancel / execute	
	Factory setting	Cancel / execute	
Display settings	Language setting	Chinese / English	
	Displays the reversal	Normal / reversal	
	Display mode	Often bright / 60s	

4 DMX CHANNEL SHEET

Standard Mode (20 CH)	The channel value	Channel content
1	0 - 255	vertical turn
2	0 - 255	Vertical fine-tuning
3	0 - 255	Vertical motor speed
4	0 - 255	The overall amplification
5	0 - 255	Amplification 1
6	0 - 255	Amplification 2
7	0 - 255	Tuning 8bit
8	0 - 255	Dmer 16bit

9	0 - 3	close
	4 - 103	Regular strobe, the speed from slow to fast
	104 - 107	open
	108 - 207	Pulse strobe, the speed from slow to fast
	208 - 212	open
	213 - 225	Random slow frequency flash
	226 - 238	Random medium speed flash
	239 - 251	Random fast flash
	252 - 255	open
10	0 - 255	red
11	0 - 255	green
12	0 - 255	blue
13	0 - 255	white
14		Built-in effect selection
	0 - 10	all-or-none
	11 - 13	Static effect 1
	14 - 16	Static effect 2

	67 - 70	Static effect 20
	71 - 72	Dynamic effect 1
	73 - 75	Dynamic effect 2

	188 - 190	Dynamic effect 40

	191 - 193	Dynamic color effect of 1

	218 - 220	Dynamic color effect of 10
	221 - 255	Dynamic color effects 11
15	0 - 255	Dynamic effect speed (from slow to fast)
16	0 - 255	LED lamp bead left and right mirror image
17	0 - 255	Prospect color macro
18	0 - 255	Background color macro
19	0 - 255	Background dimming
20		function
	101-120	Lamps reset
	else	inaction

Extended Mode (57 CH)	The channel value	Channel content
1	0 - 255	vertical turn
2	0 - 255	Vertical fine-tuning
3	0 - 255	Vertical motor speed
4	0 - 255	Amplification 1
5	0 - 255	Amplification 2
6	0 - 255	Tuning 8bit
7	0 - 255	Dmer 16bit
8	0 - 3	close
	4 - 103	Regular strobe, the speed from slow to fast

	104 - 107	open
	108 - 207	Pulse strobe, the speed from slow to fast
	208 - 212	open
	213 - 225	Random slow frequency flash
	226 - 238	Random medium speed flash
	239 - 251	Random fast flash
	252 - 255	open
9	0 - 255	LED1 red
10	0 - 255	LED1 green
11	0 - 255	LED1 blue
12	0 - 255	LED1 white
13	0 - 255	LED2 red
14	0 - 255	LED2 green
15	0 - 255	LED2 blue
16	0 - 255	LED2 white
...
53	0 - 255	The LED12 is shown in red
54	0 - 255	LED12 is in green
55	0 - 255	The LED12 is shown in blue
56	0 - 255	The LED12 is shown in white
57		function
	101-120	Lamps reset
	else	inaction

5 FIXED EQUIPMENT

Please keep the equipment far away from the flammable objects like finishing material, etc. keep at least 0.5m distance from the flammable objects.

Warning: using two lamp clamps fix the equipment on the bottom of the lamp holder according to the instruction. to make sure the place of install the lamp is safe and suitable ,and the installation point that have chosen is safety and reliable.

The place of installing the lamp must support the 10 times weight of the lamp itself. And test the pensile place and make sure the place isn't out of the shape.

Must install the second protection when fixing the equipment like proper protective screening. The second protection is used to prevent drop off and lost of lamp and components.

Lamps can directly install the lamp holder , which is shown in the

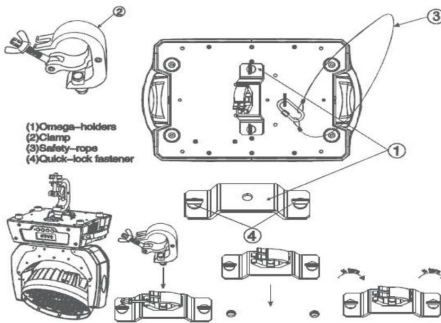


figure:

6 MAIN MACHINE CONNECTION

Please checking the power equipment supported.

Please put the plug of power source wire connect with the main power source .

(EU)Wire	Wire(America)	Direction of wire	General marks
Brown	Black	Live	L
Light blue	White	Neutral	N
Yellow/Green	Green	Earth	⊕



Warranty Card

Name	Model	Production	Purchase
------	-------	------------	----------

End User
Company Name:
Add:

Sale Store	
Link man:	
Tel:	Stamp

Description: These must be truthfully fill, seal by the end-user and point-of-sale, or else the warranty will not work (warranty period and terms, see the following)

warranty period: one year since purchase warranty terms: 1、 If fail when using the product in normal state, you can made under the provisions of the warranty, show the warranty card and purchase bills(copy), and enjoy free maintenance service in a specific service center or the manufacturer.

2. The following will be the implementation of paid service:

- (1)Without the effective warranty card
- (2)There's blank, alter and no point-of-sale name
- (3)Fail caused by unresistance
- (4)Fail caused by transportation or unloading
- (5)Fail caused by not operate by manual
- (6)Fail caused by disassemble without unauthorized
- (7)Fail caused by using the unauthorized control system

Note:

Based on our company continue to improve the product, the statement containing data may have changed, and will not notice the change any more. Company retains its right to change specifications related when product is improved. Thanks for your understanding.